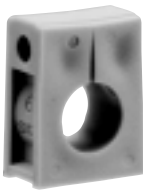


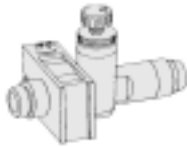
Holder for Speed Controller Series TMH

A holder for fixing a speed controller (In-line type) with One-touch fitting.

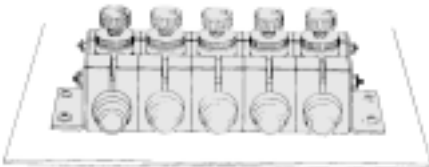
TMH-07J newly added.



The holder can be used to fix an individual part.

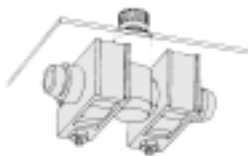


Adaptable for the manifold application. Note 1)



Note) Mounting bracket is not available. This is an application example.

Can be mounted on the panel.



Holder Models and Applicable Speed Controllers

Metric Size

Body size	Applicable tubing size	Applicable tubing					
		23	04	06	08	10	12
		ø3.2	ø4	ø6	ø8	ø10	ø12
AS1001F	TMH-23J						
AS2001F			TMH-04J	TMH-06J			
AS2051F							
AS3001F				TMH-06	TMH-08		
AS4001F						TMH-10	TMH-12

Inch Size

Body size	Applicable tubing size	Applicable tubing						
		01	03	05	07	09	11	13
		ø1/8"	ø5/32"	ø3/16"	ø1/4"	ø5/16"	ø3/8"	ø1/2"
AS1001F	TMH-01J				TMH-07J			
AS2001F			TMH-03J	TMH-05				
AS2051F					TMH-07			
AS3001F						TMH-09		
AS4001F							TMH-11	TMH-13

Specifications

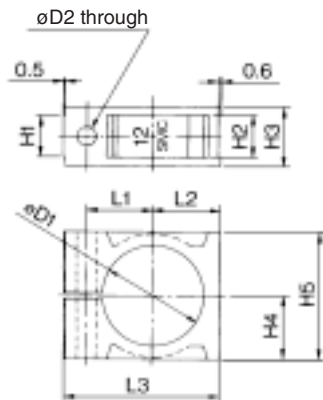
Ambient temperature	-20 to 60C
Material	Polypropylene
Color	White

Accessory: Round head Phillips screw for mounting (Black zinc chromated)

Model		Size (Nominal x Height)	Piece
Metric size	Inch size		
TMH-23J	TMH-01J	M3 x 15	1
TMH-04J	TMH-03J		
TMH-06J	TMH-05	M3 x 20	
	TMH-07J		
TMH-06	TMH-07	M4 x 25	
TMH-08	TMH-09	M4 x 35	
TMH-10	TMH-11		
TMH-12	TMH-13		

Series TMH

Dimensions



Model		øD1	øD2	H1	H2	H3	H4	H5	L1	L2	L3	Symbol
Metric size	Inch size											
TMH-23J	TMH-01J	8.5	3.3	4.5	4.6	7.5	6	12	7.2	6.6	18	1/8J
TMH-04J	TMH-03J	9.4										4 5/32J
—	TMH-05	11.7	3.3	6.3	6.4	9.3	7.7	15.4	8.5	8.3	21	3/16
TMH-06J	—	11.7										6J
—	TMH-07J	12.1	4.3	7.1	7.2	11	10	20	11	10.6	26.5	1/4
TMH-06	—	13.1										6
—	TMH-07	13.5	4.3	9.5	9.6	14	14	28	14.2	14.6	34	8 5/16
TMH-08	TMH-09	15.5										10
TMH-10	—	18.8	4.3	9.5	9.6	14	14	28	14.2	14.6	34	10
—	TMH-11	18.2										3/8
TMH-12	—	21.2	4.3	9.5	9.6	14	14	28	14.2	14.6	34	12
—	TMH-13	22										1/2

SMC CORPORATION (Europe)

Austria	☎ +43 226262280	www.smc.at	office@smc.at	Lithuania	☎ +370 2651602		
Belgium	☎ +32 (0)33551464	www.smc-pneumatics.be	post@smc-pneumatics.be	Netherlands	☎ +31 (0)205318888	www.smc-pneumatics.nl	info@smc-pneumatics.nl
Bulgaria	☎ +359 2 9744492	www.smc.bg	office@smc.bg	Norway	☎ +47 67129020	www.smc-norge.no	post@smc-norge.no
Croatia	☎ +385 1 377 66 74	www.smceu.com	office@smc.hr	Poland	☎ +48 225485085	www.smc.pl	office@smc.pl
Czech Republic	☎ +42 0541424611	www.smc.cz	office@smc.cz	Portugal	☎ +351 226108922	www.smces.es	postpt@smc.smces.es
Denmark	☎ +45 70252900	www.smc.dk	smc@smc-pneumatik.dk	Romania	☎ +40 213205111	www.smcromania.ro	smcromania@smcromania.ro
Estonia	☎ +372 (0)6593540	www.smc-pneumatics.ee	smc@smc-pneumatics.ee	Russia	☎ +812 1185445	www.smc-pneumatik.ru	smcfa@peterlink.ru
Finland	☎ +358 207 513513	www.smc.fi	smc@smc-pneumatik.de	Slovakia	☎ +421 244456725	www.smc.sk	office@smc.sk
France	☎ +33 (0)164761000	www.smc-france.fr	info@smc-pneumatik.de	Slovenia	☎ +386 73885249	www.smc-ind-avtom.si	office@smc-ind-avtom.si
Germany	☎ +49 (0)61034020	www.smc-pneumatik.de	parianos@hol.gr	Spain	☎ +34 945184100	www.smces.es	post@smc.smces.es
Greece	☎ +30 (0)13426076	www.smceu.com	office@smc-automation.hu	Sweden	☎ +46 (0)86031200	www.smc.nu	post@smc-pneumatics.se
Hungary	☎ +36 13711343	www.smc-automation.hu	sales@smc-pneumatics.ie	Switzerland	☎ +41 (0)523963131	www.smc.ch	info@smc.ch
Ireland	☎ +353 (0)14039000	www.smc-pneumatics.ie	mailbox@smcitalia.it	Turkey	☎ +90 (0)2122211512	www.entek.com.tr	smc-entek@entek.com.tr
Italy	☎ +39 (0)292711	www.smcitalia.it	info@smclv.lv	UK	☎ +44 (0)8001382930	www.smc-pneumatics.co.uk	sales@smc-pneumatics.co.uk
Latvia	☎ +371 (0)7779474	www.smclv.lv					

European Marketing Centre ☎ +34 945184100 www.smceu.com
 SMC CORPORATION ☎ +81 0335022740 www.smcworld.com

SMC CORPORATION 1-16-4 Shimbashi, Minato-ku, Tokio 105 JAPAN; Phone:03-3502-2740 Fax:03-3508-2480